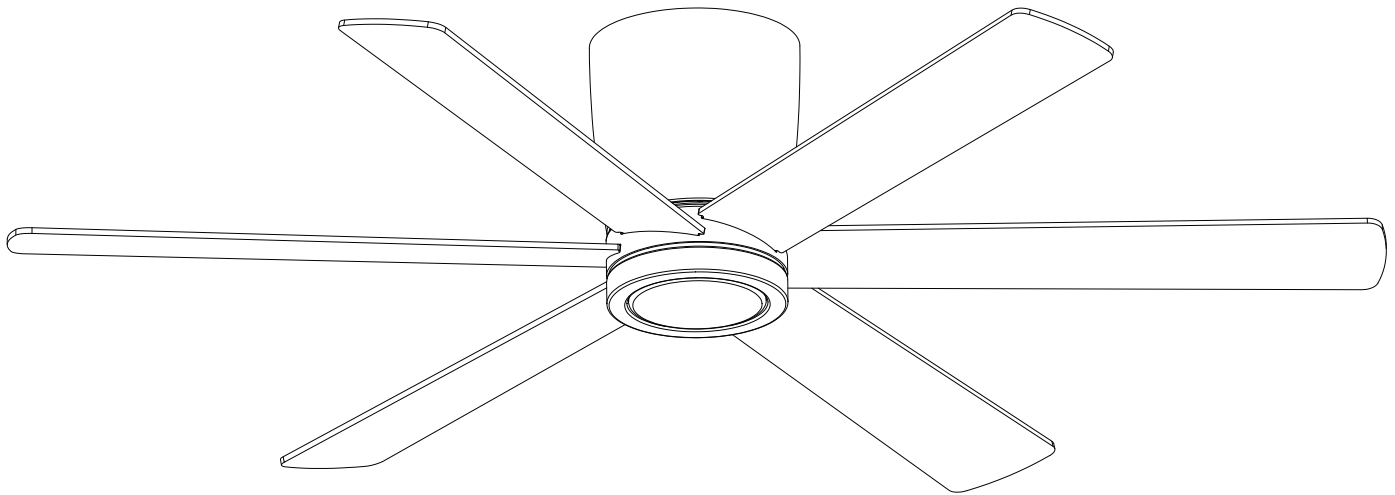




52" Coldwater Wi-Fi Smart Ceiling Fan™

Read and save these instructions



Questions, problems, missing parts? Before returning to your retailer, call our customer service department at **855-817-WIND (9463)**
8 a.m. - 5 p.m., EST, Monday-Friday
E-mail: service@windriverus.com



WR2028 SERIES

Speed	Volts	Amps	Watts	RPM	CFM	N.W.	G.W.	C.F.
Low	120	0.25	15.34	73	1639	7 kgs (15.4 lbs)	8.02 kgs (17.64 lbs)	1.514 ft.
Medium		0.39	32.3	113	2834			
High		0.55	65.3	165	4294			

NOTE: These are approximate measures. They do not include amps and wattage used by the light kit.

Safety tips

1. To reduce the risk of electric shock, ensure electricity has been turned off at the circuit breaker or fuse box before beginning.
2. All wiring must be in accordance with the National Electrical Code “ANSI/NFPA 70-1999” and local electrical codes. Electrical installation should be performed by a qualified licensed electrician.
3. The outlet box and support structure must be securely mounted and capable of reliably supporting a minimum of 35 lbs. Use only UL Listed outlet boxes marked “FOR FAN SUPPORT.”
4. The fan must be mounted with a minimum of 7 ft. clearance from the trailing edge of the blades to the floor.
5. After making electrical connections, spliced conductors should be turned upward and pushed carefully up into the outlet box. The wires should be spread apart with the grounded conductor and the equipment-grounding conductor on one side of the outlet box and ungrounded conductor on the other side of the outlet box.
6. All setscrews must be checked and retightened where necessary before installation.



WARNING: To reduce the risk of electrical shock or fire, do not use this fan with any solid-state fan speed control device. Please contact with dealer or Wind River at **855-817-WIND (9463)** if using solid-state remote.

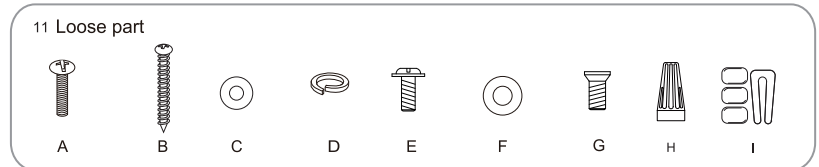
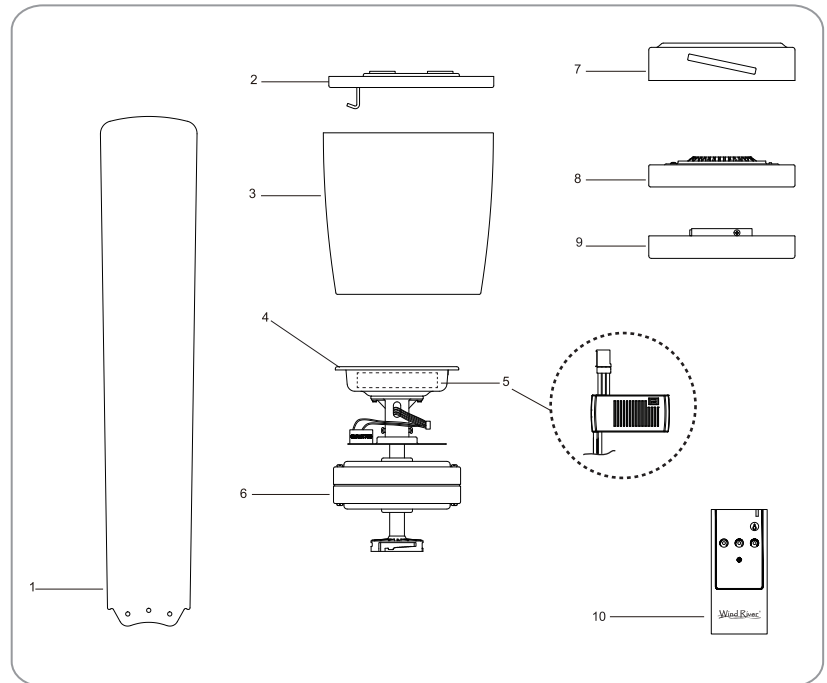


WARNING: To reduce the risk of fire, electric shock, or personal injury, mount the fan to the outlet box marked acceptable for fan support with the screws provided with the outlet box.

Package contents

Unpack your fan and check the contents. See page 2. You should have the following items:

1. Blade (6)
2. Mounting bracket (1)
3. Fan housing (1)
4. Mounting plate (pre-assembled) (1)
5. Receiver (pre-assembled) (1)
6. Fan motor assembly (1)
7. Flywheel (1)
8. 18W LED assembly (1)
9. Metal shade (1)
10. Transmitter+holder+2 mounting screws+A23 12V battery(1)
11. Loose parts bag containing
 - A: Machine screw (2)
 - B: Wood screw (2)
 - C: Metal washer (2)
 - D: Lock washer (2)
 - E: Blade screw (18 + 1 spare)
 - F: Fiber washer (18 + 1 spare)
 - G: Flywheel screw (3 + 1 spare)
 - H: Wire nuts (3)
 - I: Balancing kit (1)



Begin installation

Tools Required: Phillips screw driver; slotted screw driver; pliers; wire cutters; electrical tape.

MOUNTING OPTIONS

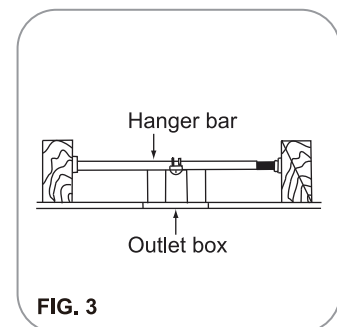
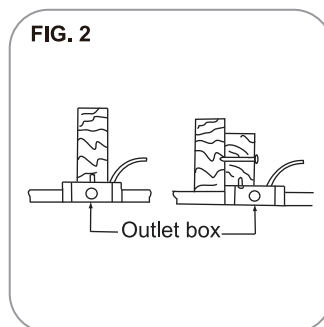
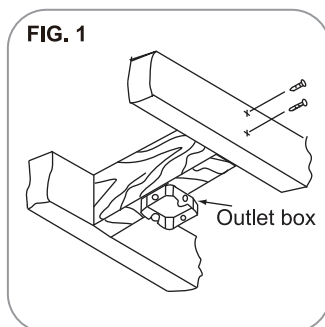
If there isn't an existing outlet box, then read the following instructions. Shut the power off at the circuit breaker or fuse box.

Secure the outlet box directly to the building structure. Use appropriate fasteners and building materials. Only use a U.L. Listed metal outlet box marked "Acceptable for ceiling fan support" to install the ceiling fan. Do not use a plastic outlet box or other device.

Figures 1 and 2 are examples of different ways to mount the outlet box.

Note: Please contact with dealer or Wind River at **855-817-WIND (9463)** if you need a longer downrod to maintain proper blade clearance when installing on a steep, sloped ceiling.

To hang your fan where there is an existing fixture but no ceiling joist, you may need to install a hanger bar as shown in Fig. 3.



Installing the mounting bracket

WARNING: To reduce the risk of fire, electric shock or other personal injury, mount the fan only to an outlet box or supporting system marked acceptable for fan support and use the mounting screws provided with the outlet box.

Step 1. Place the slots from the mounting bracket over the two mounting screws provided with the outlet box.

Step 2. Slide the mounting bracket until it locks in place at the narrow section of the slots.

Step 3. Securely tighten the two mounting screws provided with the outlet box.

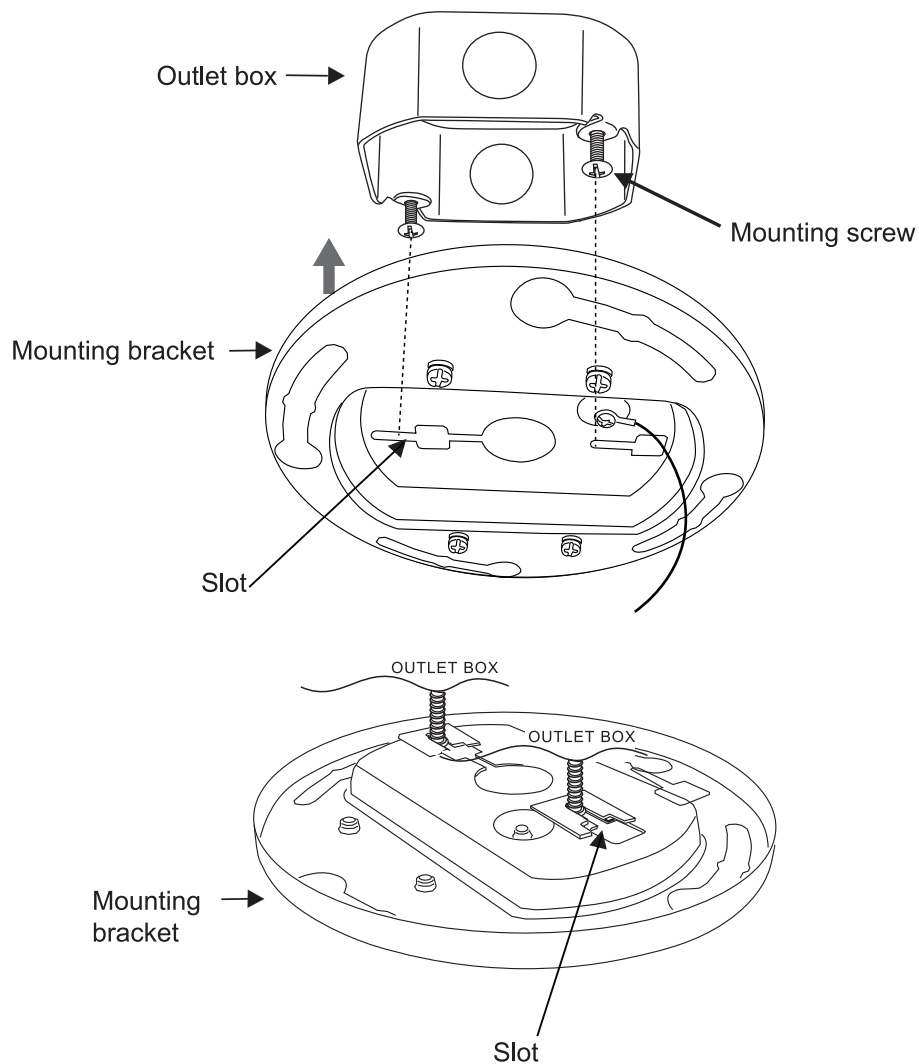
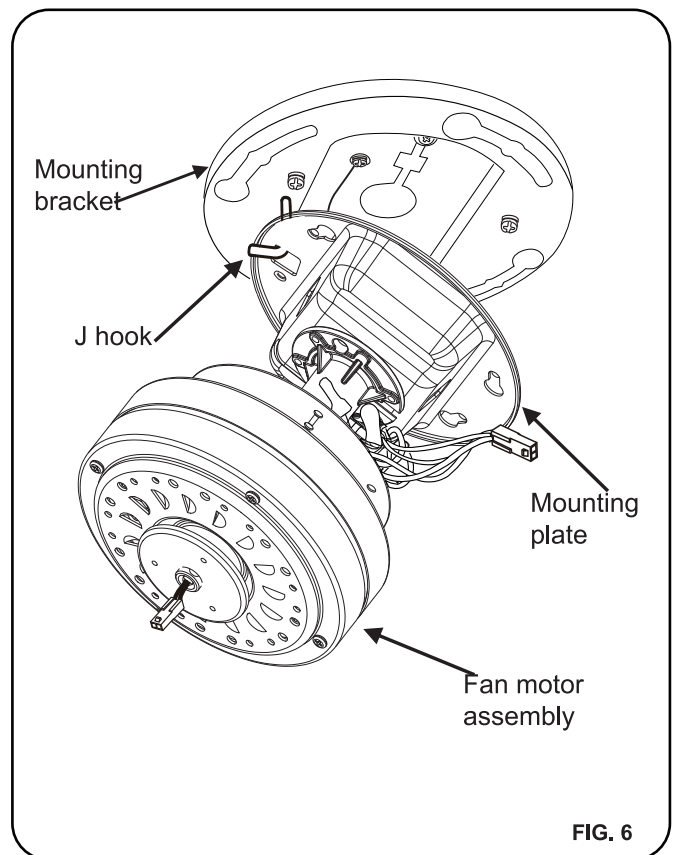
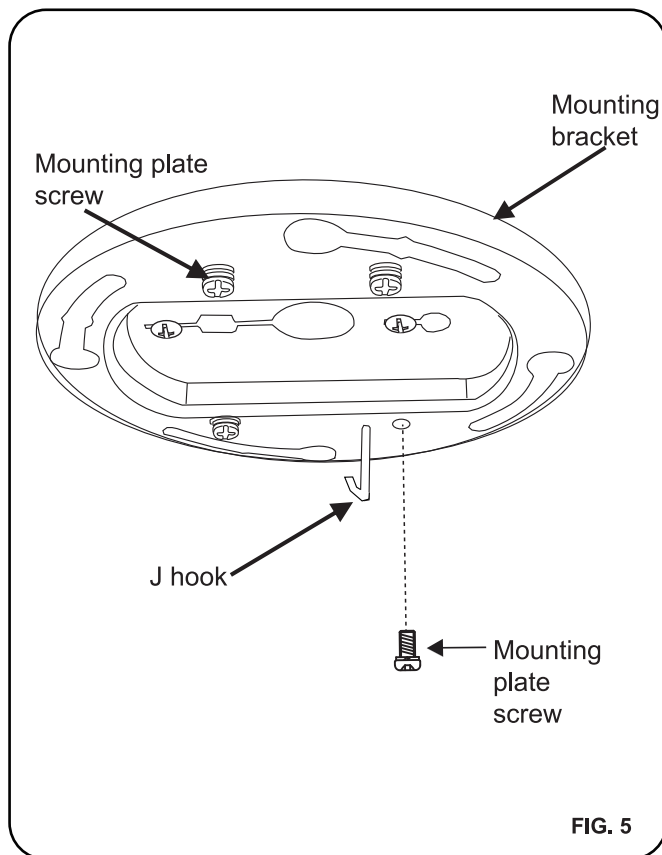


FIG. 4

Hanging the fan motor assembly to mounting bracket

Step 1. Remove the mounting plate screw from the mounting bracket and loosen the other three mounting plate screws approximately 1/4 turn. Place the mounting plate screw that was removed aside for use later. (Fig.5)

Step 2. Lift the fan motor assembly by hanging the square hole of the mounting plate on the J hook from the mounting bracket allowing it to hang. (Fig.6)



Making the electrical connections

WARNING: To avoid possible electrical shock, ensure the electricity is turned off at the circuit breaker or main fuse box before wiring.

WARNING: Check to see that all connections are tight, including the ground, and that no bare wire is visible at the wire nuts, except for the ground wire.

Follow the steps below to connect the fan to your house supply wires. Secure the wire nuts supplied with your fan by wrapping the connections with electrical tape.

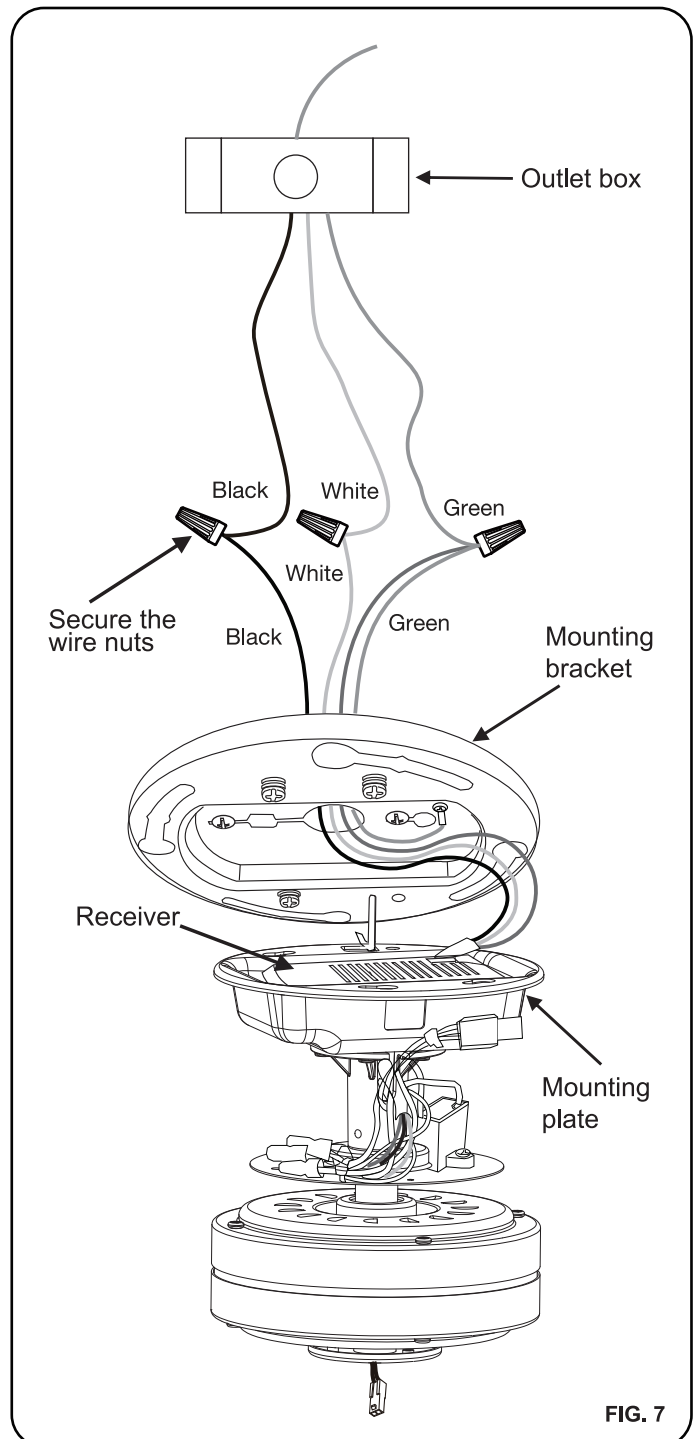
Step 1. Connect the black (hot) wire from the ceiling to the black wire marked "AC in L" from the receiver.

Step 2. Connect the white (neutral) wire from the ceiling to the white wire marked "AC in N" from the receiver.

Step 3. Connect the ground wire (green or bare copper) of the outlet box to the ground wire of the mounting plate and the ground wire of the mounting bracket.

Step 4. Secure the wire connection with a plastic wire nut provided with the electrical hardware.

Step 5. After connecting the wires, spread them apart so that the green and white wires are on one side of the outlet box and the black and blue wires are on the other side. Carefully tuck the wire connections up into the outlet box.

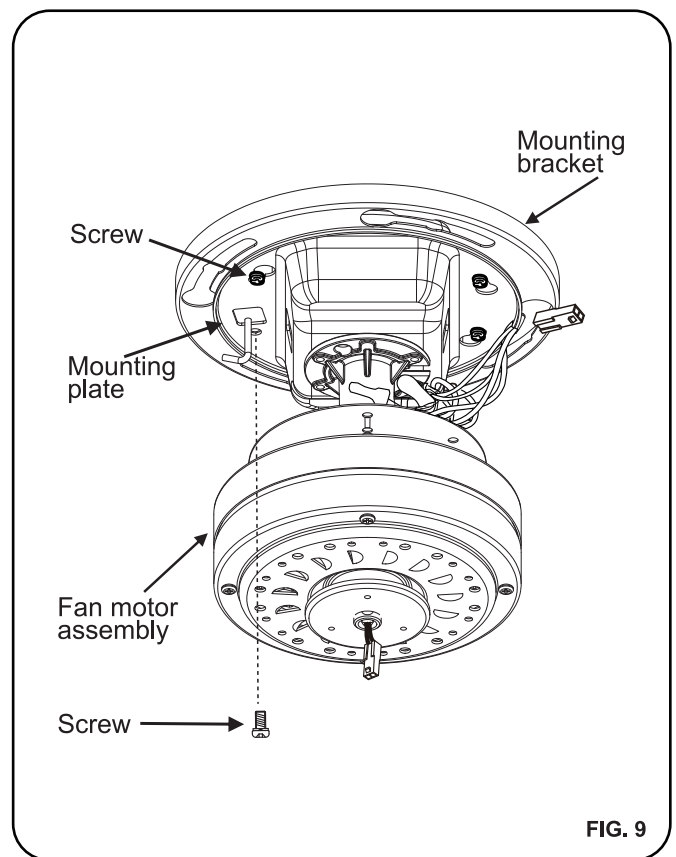
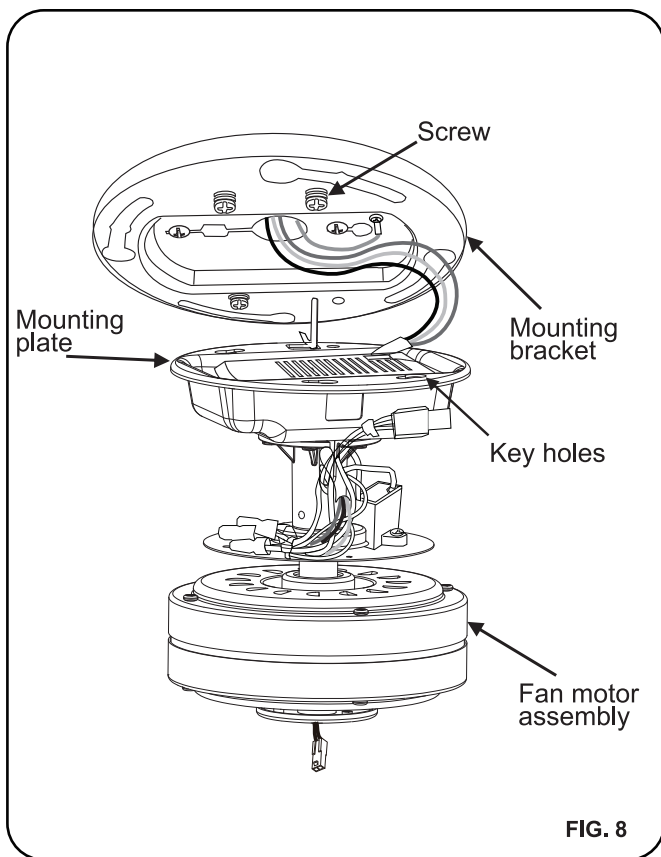


Installing the fan motor assembly

Step 1. Lift and place the key holes of the mounting plate over the three screws previously loosened on the mounting bracket and turn the mounting plate until it locks in place and no longer turns. (Fig.8)

Step 2. Secure by tightening the three screws previously loosened and the screw previously removed. (Fig.9)

WARNING: Ensure you complete this step correctly and follow all steps. Failure to correctly follow this step might cause the fan to fall.

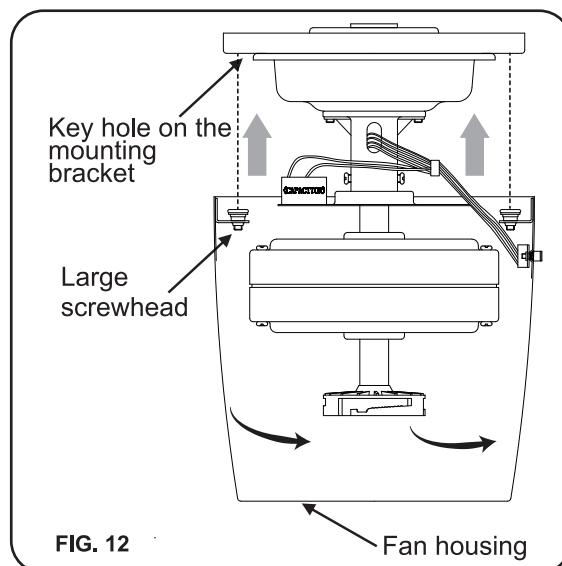
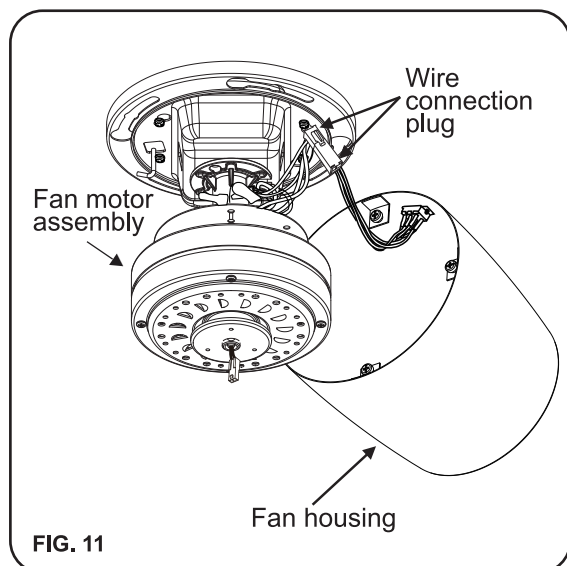
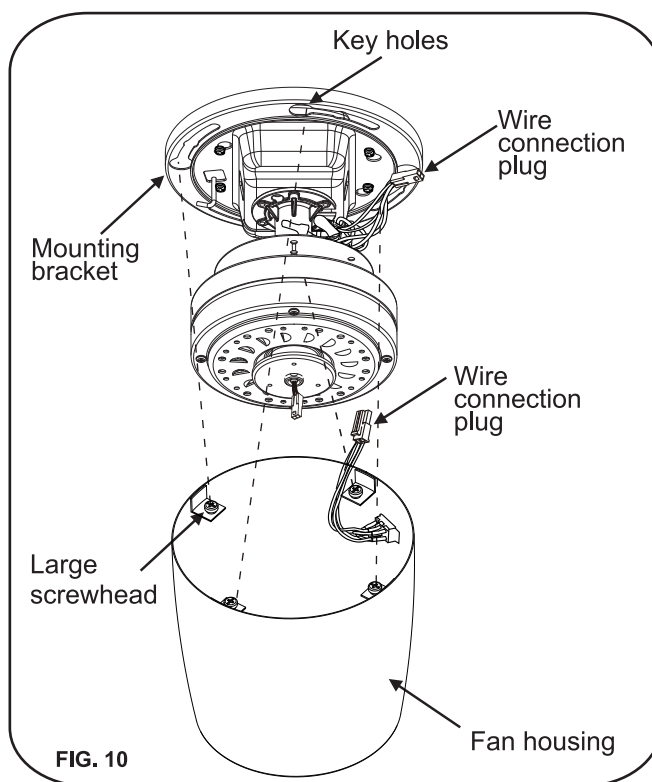


Installing the fan housing

Step 3. Pay attention to the four large screwheads pre-locked on the fan housing and the four key holes on the mounting bracket. they will be needed to be locked together after finished the wire connection in previous step. (Fig.10)

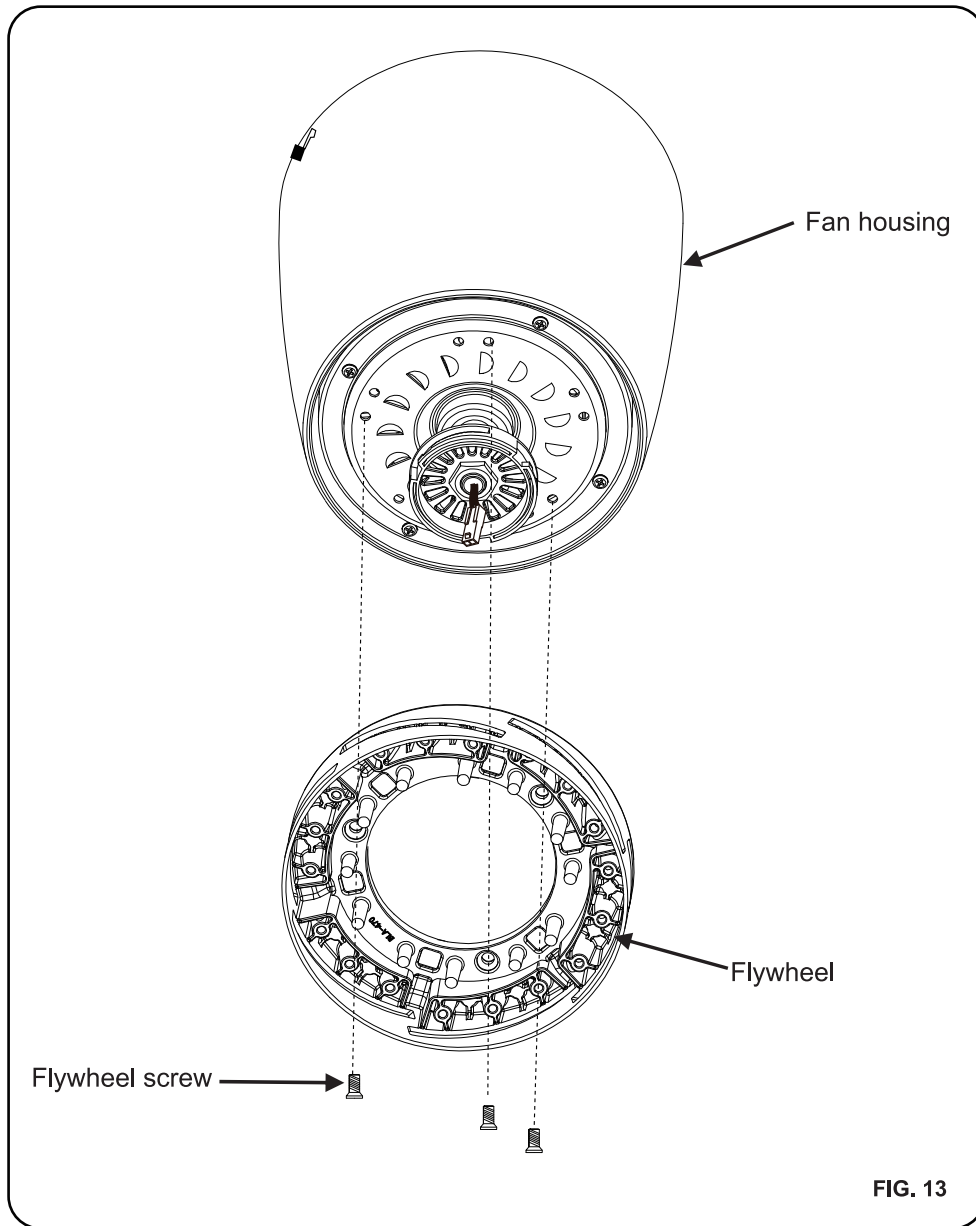
Step 4. Firmly snap the wire connection plug from fan motor assembly to the wire connection plug from fan housing. (Fig.11) Make Sure the wire connections are not in the way of the housing as you lift the housing and proceed to next step.

Step 5. Align the four large screwheads pre-locked on the fan housing to the key holes of the mounting bracket. Turn the fan housing at the right side and twist the screwheads to the end of the slotted holes until they lock in place and no longer turn. (Fig.12)



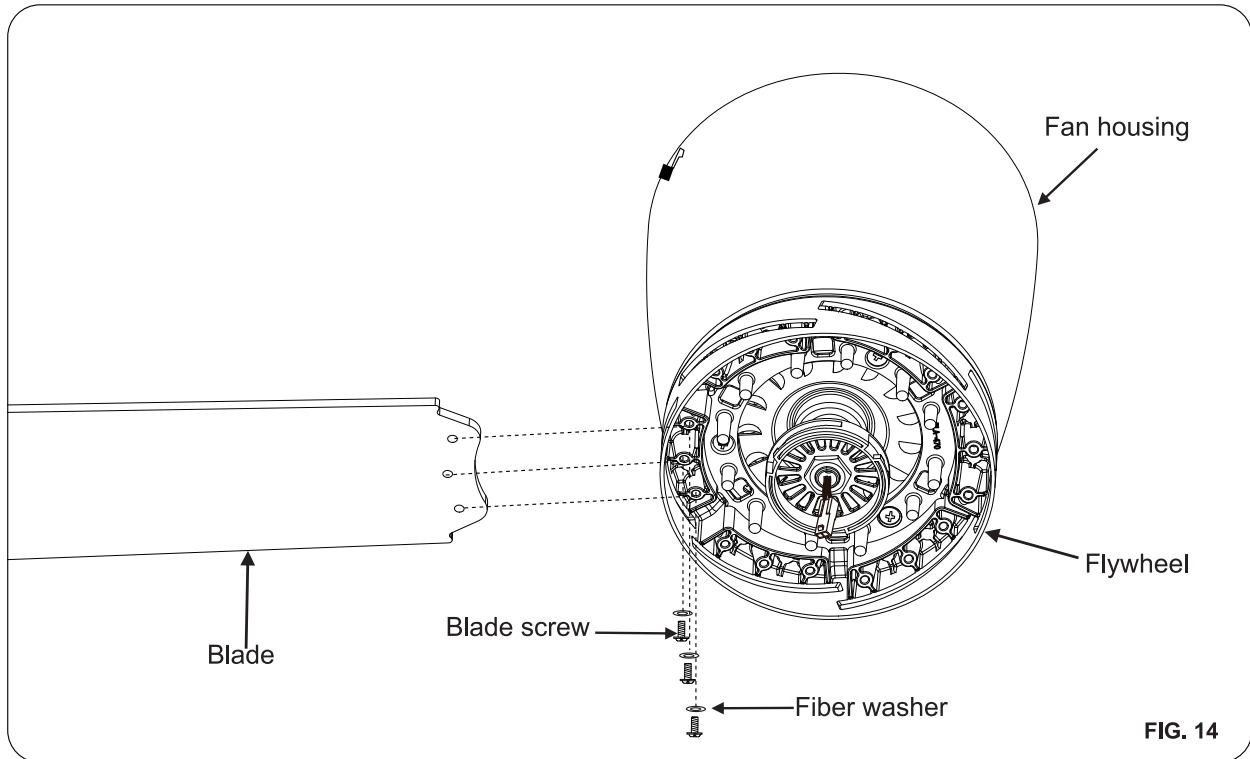
Fastening the flywheel to the fan motor assembly

Tighten the flywheel onto the bottom of the fan motor assembly by using the three flywheel screws.



Installing the fan blades to the flywheel

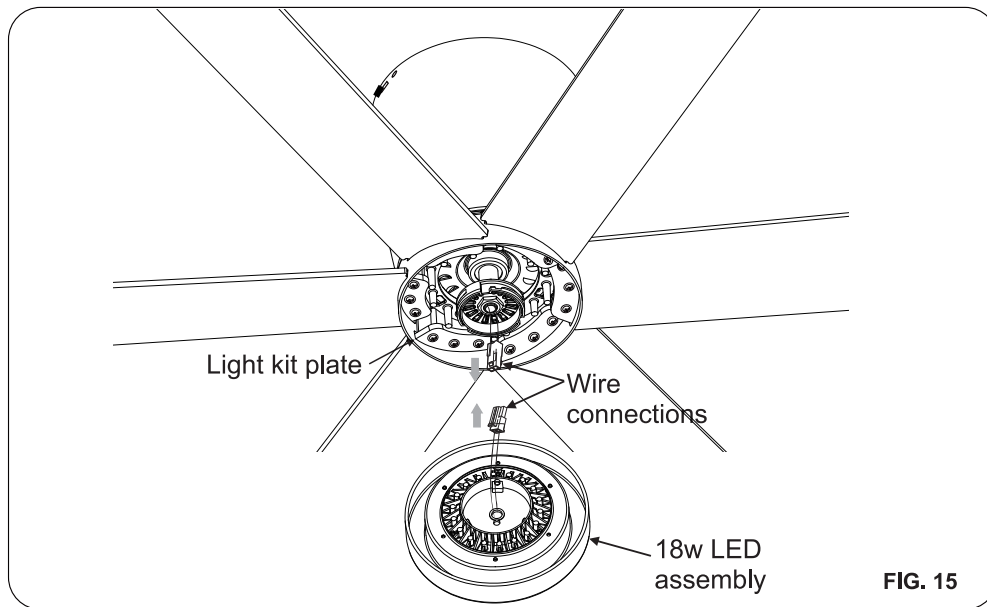
Insert the blade through the slot on the flywheel. Fasten the fan blade to the flywheel by using the three blade screws and the three fiber washers and tighten them securely. Repeat this step for the other five blades.



Installing the 18W LED assembly

Step 1. While holding the 18W LED assembly under your fan, firmly snap the wire connection plugs together. (Fig.15)

Step 2. Attach the 18W LED assembly to the switch box by twisting tightly. (Fig.15)

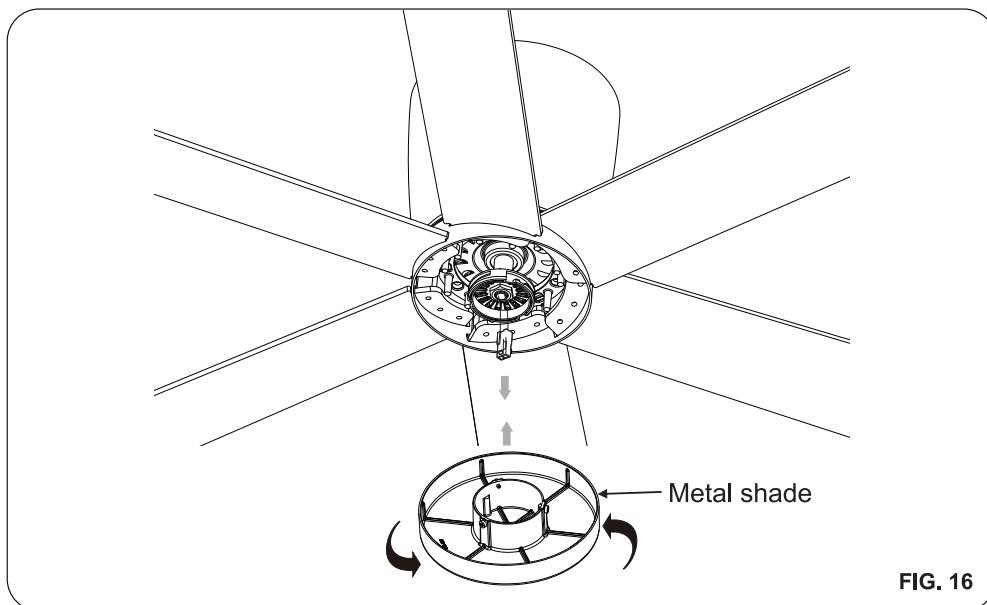


Installing the metal shade

If you want the fan to be non-light version, please skip above step directly.

Raise metal shade up against bottom of fan housing and secure it to fan by turning it clockwise until snug. DO NOT OVERTIGHTEN.(Fig.16)

Note: Installing the metal shade. Make sure the metal shade is securely tighten.



Programming the remote

NOTE: The control system is equipped with a learning frequency function which has 16 code combinations to prevent potential interference from other remote units. The frequency on your Receiver and Transmitter units have been preset at the factory. No frequency change is necessary.

If the fan is non-functional or if you desire to install another fan within the same home or area with a separate frequency code, please see this "learning process" section of this instruction manual to code-pairing the receiver and transmitter.

Learning process

- Turn the power off to your ceiling fan.
- Please use a small size tool to change the frequency settings on the transmitter.
- Return power to the unit.
- Within 60 seconds of turning the fan's AC power ON, press and hold the FAN OFF “⏻” button for 10 seconds to enter the learning function.

NOTE: After the AC power is on, do not press any other button on the remote control before pressing the FAN OFF “⏻” button. Doing so will cause the procedure to fail.

Once the receiver has detected the set frequency, the fan will begin to rotate for a short period and then shut off. And if the fan is with light, the light will blink twice.

The receiver has now learn the frequency which has been selected on the transmitter. After completing the steps above, you should be able to operate the ceiling fan and light. If the fan is not responding to the transmitter. please turn the power off to the receiver, and repeat the process.

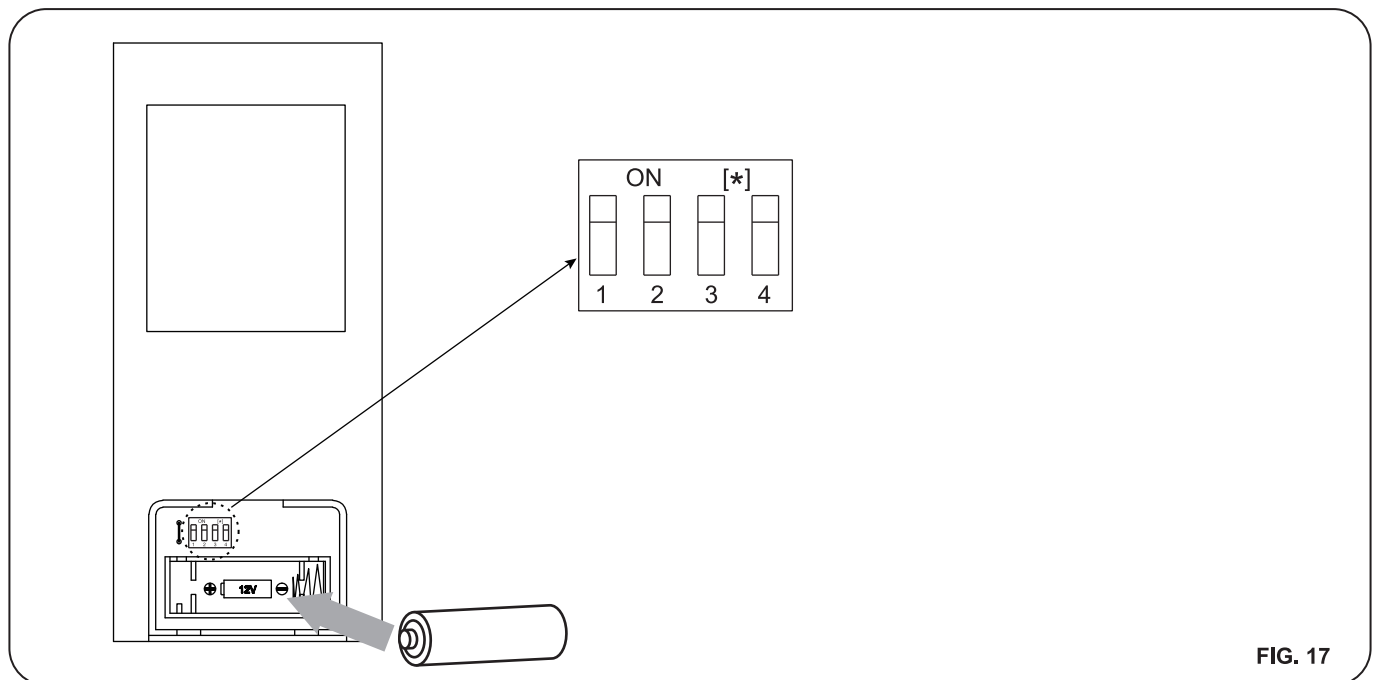





FIG. 17

Operation

Install a 12V battery into the remote control. To prevent damage to the remote control, remove the battery if not used for long periods of time.


Turn on the power and check the operation of your fan.

a. “”, “” and “” buttons:


These three buttons are used to select the fan speed.

Press and release the button of the desired speed setting:

 = Lowest speed

 = Medium speed

 = Highest speed

b. “” button: This button will turn the light on or off and will also control the brightness setting. Press and release the button and the light will turn on or cycle continuously between bright and dim settings as long as the button is held down. The light key has auto resume, it will stay at the same brightness as the last time it was turned off.

c. “” button: This button will turn the fan off.

The Reverse switch is located on the fan motor assembly (Fig.19). Slide the switch to the Left for warm weather operation. Slide the switch to the Right for cool weather operation.

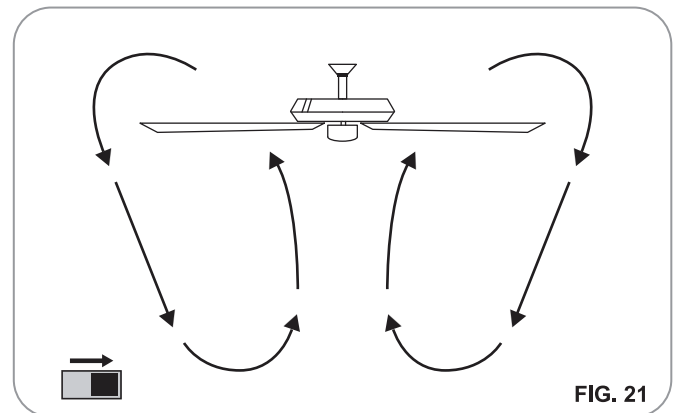
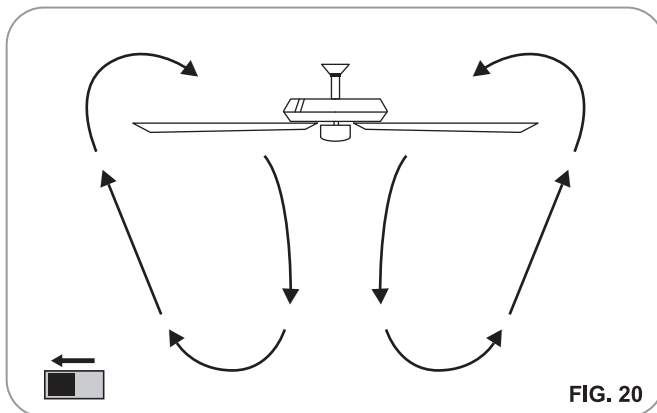
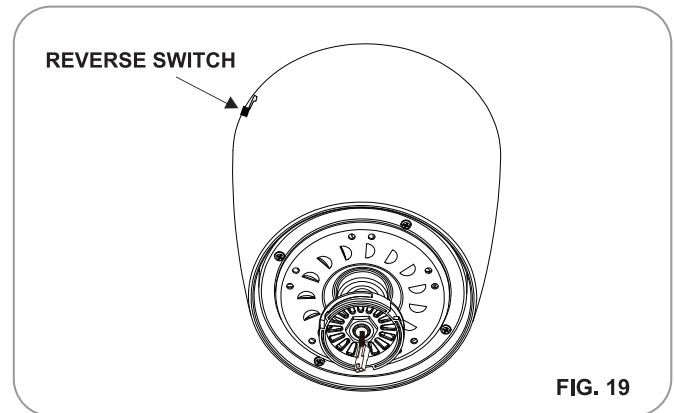
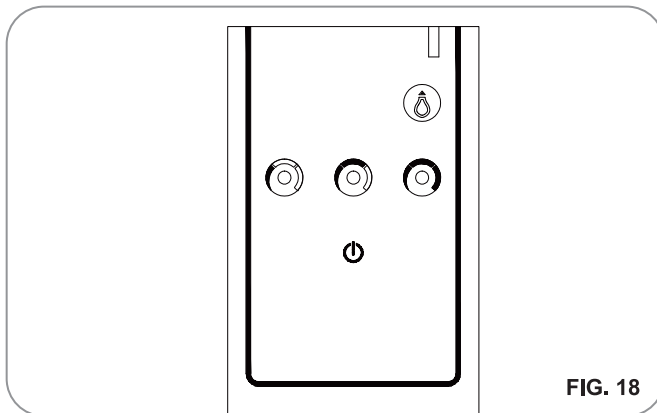
NOTE: Wait for fan to stop before changing the setting of the slide switch.

Warm weather - (Forward)

A downward airflow creates a cooling effect as shown in Fig.20. This allows you to set your air conditioner on a warmer setting without affecting your comfort.

Cool weather - (Reverse)

An upward airflow moves warm air off the ceiling area as shown in Fig.21. This allows you to set your heating unit on a cooler setting without affecting your comfort.



Connect your smart fan to BOND

After testing all operations of the ceiling fan and remote control, you are now ready to connect your smart fan to the BOND HOME APP. Download the BOND HOME APP using the Google Play or Apple Play Store and follow the prompts given.

Care and Cleaning

Check the support connections, brackets, and blade attachments twice a year. Ensure they are secure. Because of the fan's natural movement, some connections may become loose over time. It is not necessary to remove the fan from the ceiling.

Clean your fan periodically. Use only a soft brush or lint-free cloth to avoid scratching the finish. The plating is sealed with a lacquer to minimize discoloration or tarnishing.

(Optional) Apply a light coat of furniture polish to the wood blades.

(Optional) Cover small scratches with a light application of shoe polish.

Do not use water when cleaning. Water could damage the motor, or the wood, or possibly cause an electrical shock.

Do not apply oil to your fan or motor. The motor has permanently-lubricated sealed ball bearings.

Troubleshooting

Problem	Solution
The fan will not start.	Check main and branch circuit fuses or breakers.
	Check line wire connections to the fan and switch wire connections in the switch housing.
The fan sounds noisy.	Make sure all motor housing screws are snug.
	Make sure the screws that attach the fan blade arm to the motor hub are tight.
	Make sure wire nut connections are not rattling against each other or the interior wall of the switch housing.
	Allow a 24-hour "breaking-in" period. Most noises associated with a new fan disappear during this time.
	If using the ceiling light kit, make sure the screws securing the glassware are tight. Check that the light bulb is also secure.
	Make sure there is a short distance from the ceiling to the canopy. It should not touch the ceiling.
The fan wobbles.	Make sure your ceiling box is secure and rubber isolator pads are used between the mounting bracket and outlet box.
	Check that all blade and blade arm screws are secure.
	Most fan wobble problems are caused when blade levels are unequal. Check this level by selecting a point on the ceiling above the tip of one of the blades. Measure from a point on the center of each blade to the point on the ceiling. Rotate the fan until the next blade is positioned for measurement. Repeat for each blade. Measurements deviation should be within 1/8 in. Run the fan for 10 minutes.
	Use the enclosed blade balancing kit if the blade wobble is still noticeable.



Questions, problems, missing parts? Before returning to your retailer, call our customer service department at **855-817-WIND (9463)**
 8 a.m. - 5 p.m., EST, Monday-Friday
 E-mail: service@windriverus.com